



Falstaff

by Stefan Diez



A leather dressed armchair with metal structure. The unconventional way the seat is fixed to the tubular frame is carefully studied in all details. The chair is a result of letting the eye wonder outside the limits of upholstering, resulting in an opulent seat.

FALSTAFF - STEFAN DIEZ - ARMCHAIR

MATERIAL

Powder-coated steel base - leather seat

COLOURS

Powder-coated steel base



white



black

Leather seat



white



black



antracite

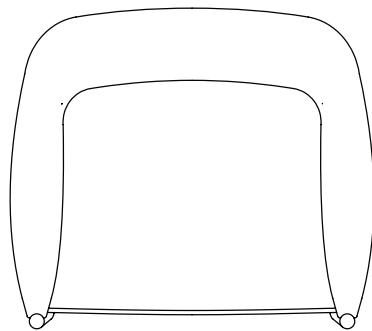


bordeaux

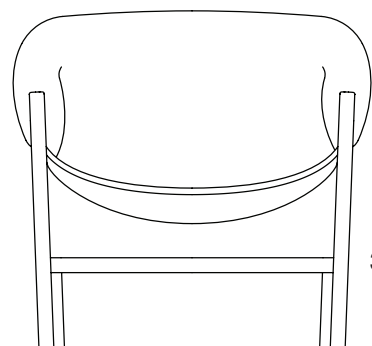


yellow

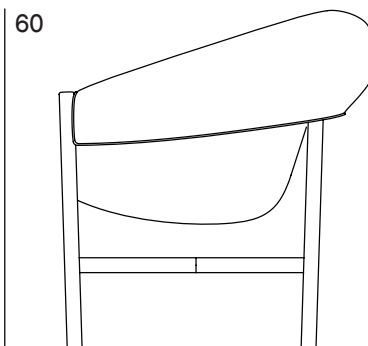
DIMENSIONS



85



38



60

75